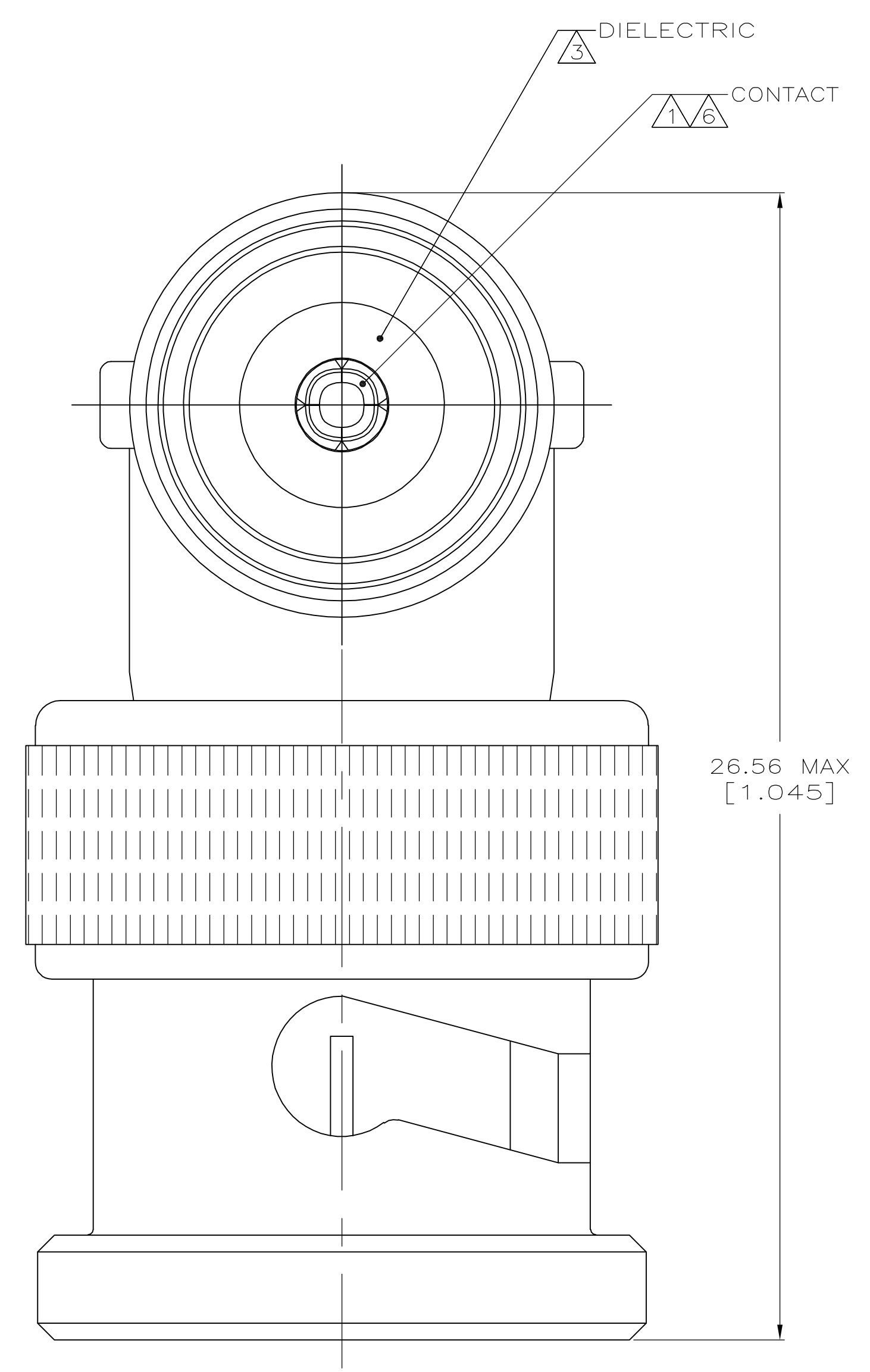
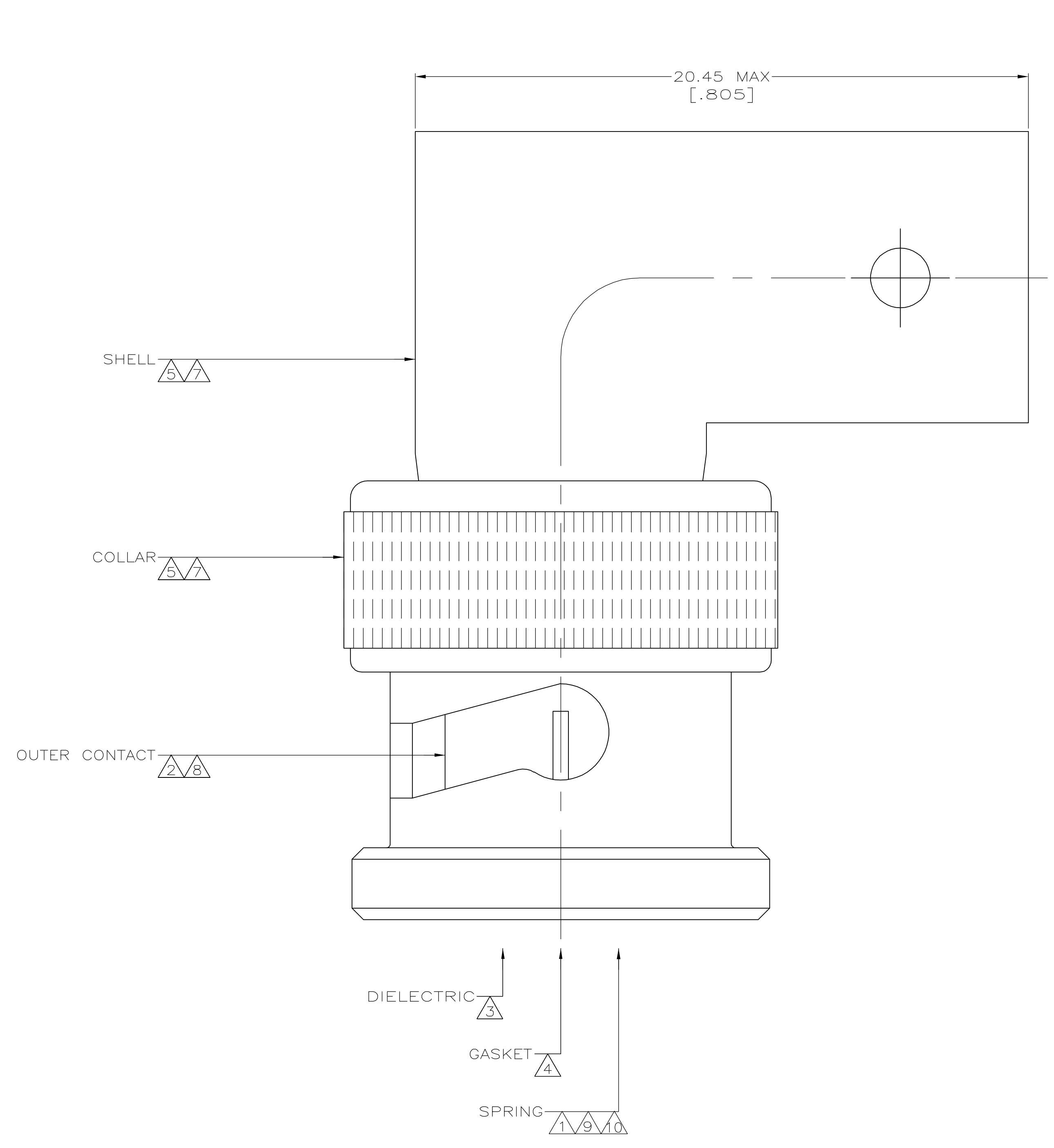


- △ BERYLLIUM COPPER PER ASTM-B-194
- △ BRASS PER ASTM-B-16
- △ PTFE PER MIL-P-19468
- △ SILICONE RUBBER PER ZZ-R-765
- △ ZINC DIE CAST PER ASTM-B-86
- △ SILVER PLATE PER QQ-S-365, 5.08 μm [.000200] MIN THICKNESS
- △ NICKEL PLATE PER QQ-N-290, 1.27 μm [.000050] MIN THICKNESS
- △ NICKEL PLATE PER QQ-N-290, 2.54 μm [.000100] MIN THICKNESS
- △ TIN PLATE PER ASTM-B-545, 2.54 μm [.000100] MIN THICK.
- △ TIN PLATE PER ASTM-B-545, 2.54 μm [.000100] MIN THICKNESS



OBSOLETE	△10	9-329517-0
OBSOLETE	△9	1-329517-0
	△9	329517
		PART NUMBER

THIS DRAWING IS A CONTROLLED DOCUMENT.		DWN MICHAEL E. COWHER 17AUG95	Tyco Electronics Corporation Harrisburg, PA 17105-3608	
DIMENSIONS: mm		CHK MICHAEL J. PHILLIPS 17AUG95	NAME MICHAEL J. PHILLIPS	
TOLERANCES UNLESS OTHERWISE SPECIFIED:		PRODUCT SPEC		
0 PLC ± -		APPLICATION SPEC		
1 PLC ± -		SIZE CAGE CODE DRAWING NO		
2 PLC ± -		A1 00779 C=329517		
3 PLC ± -		RESTRICTED TO		
4 PLC ± -		CUSTOMER DRAWING		
ANGLES ± -		SCALE 10:1 SHEET 1 OF 1 REV J1		
FINISH SEE NOTES				